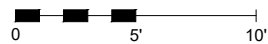
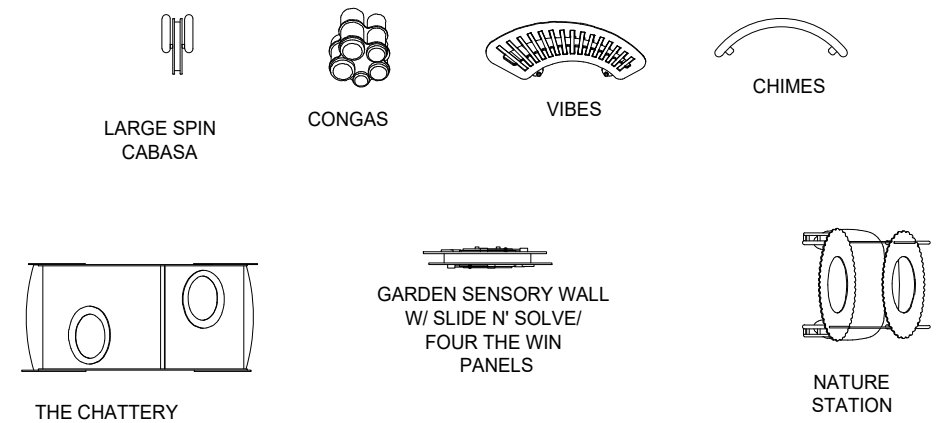
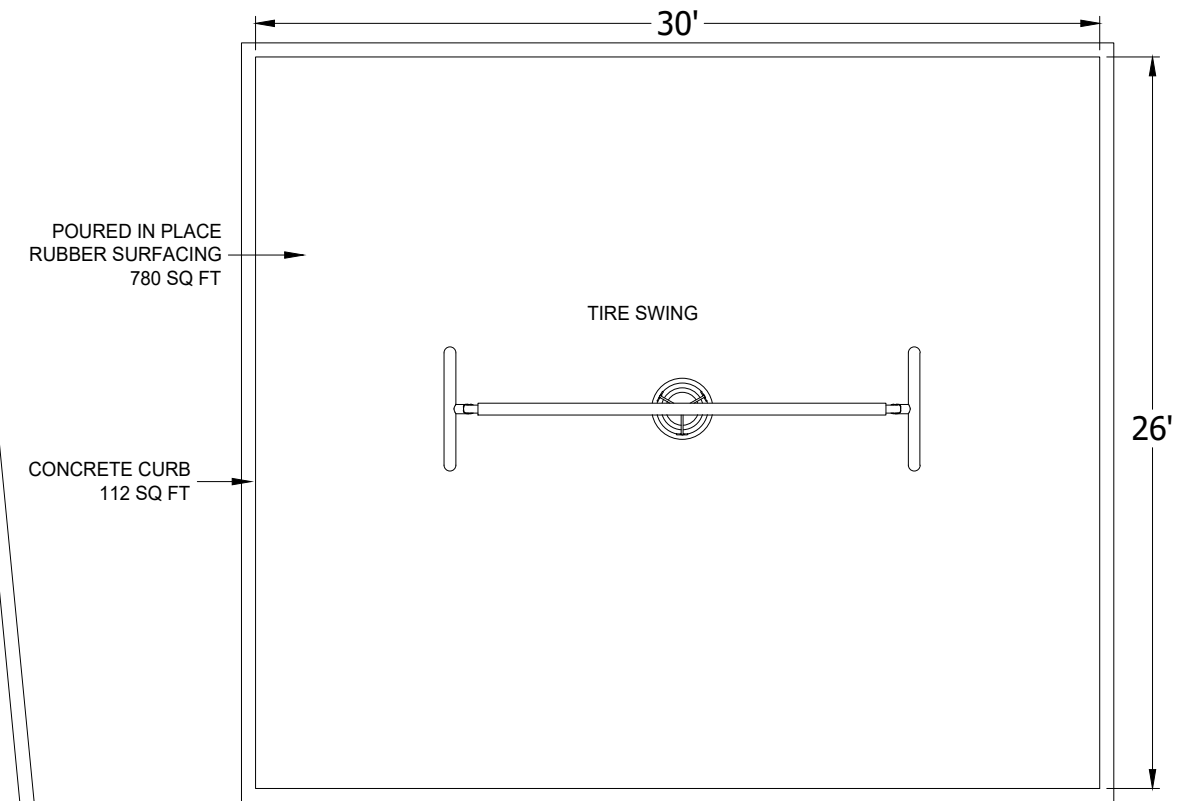
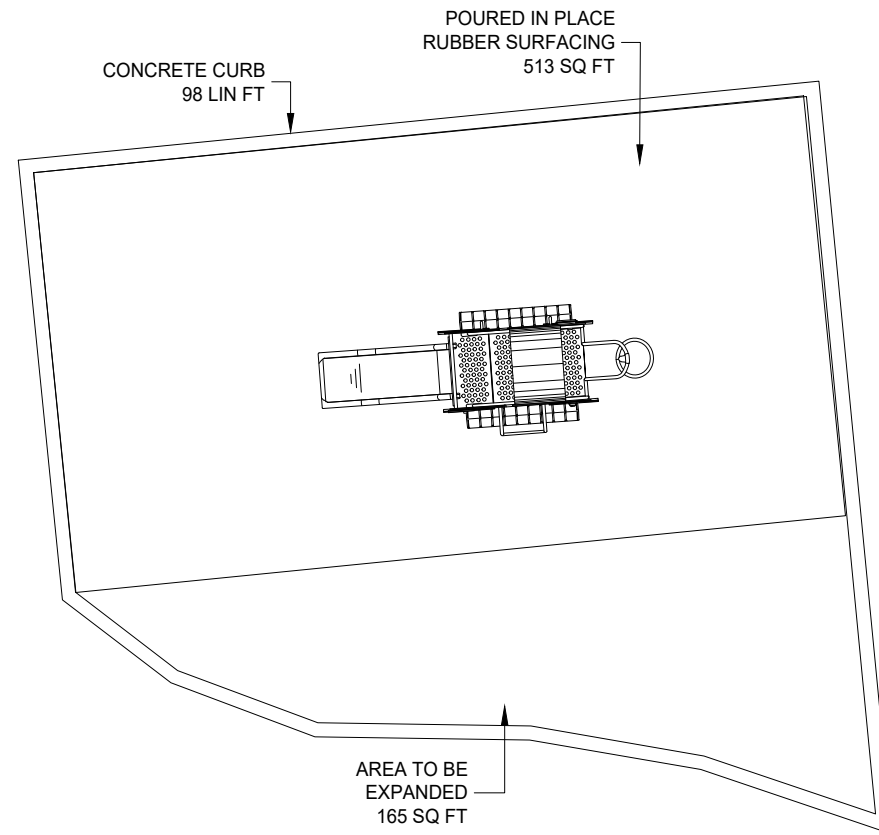
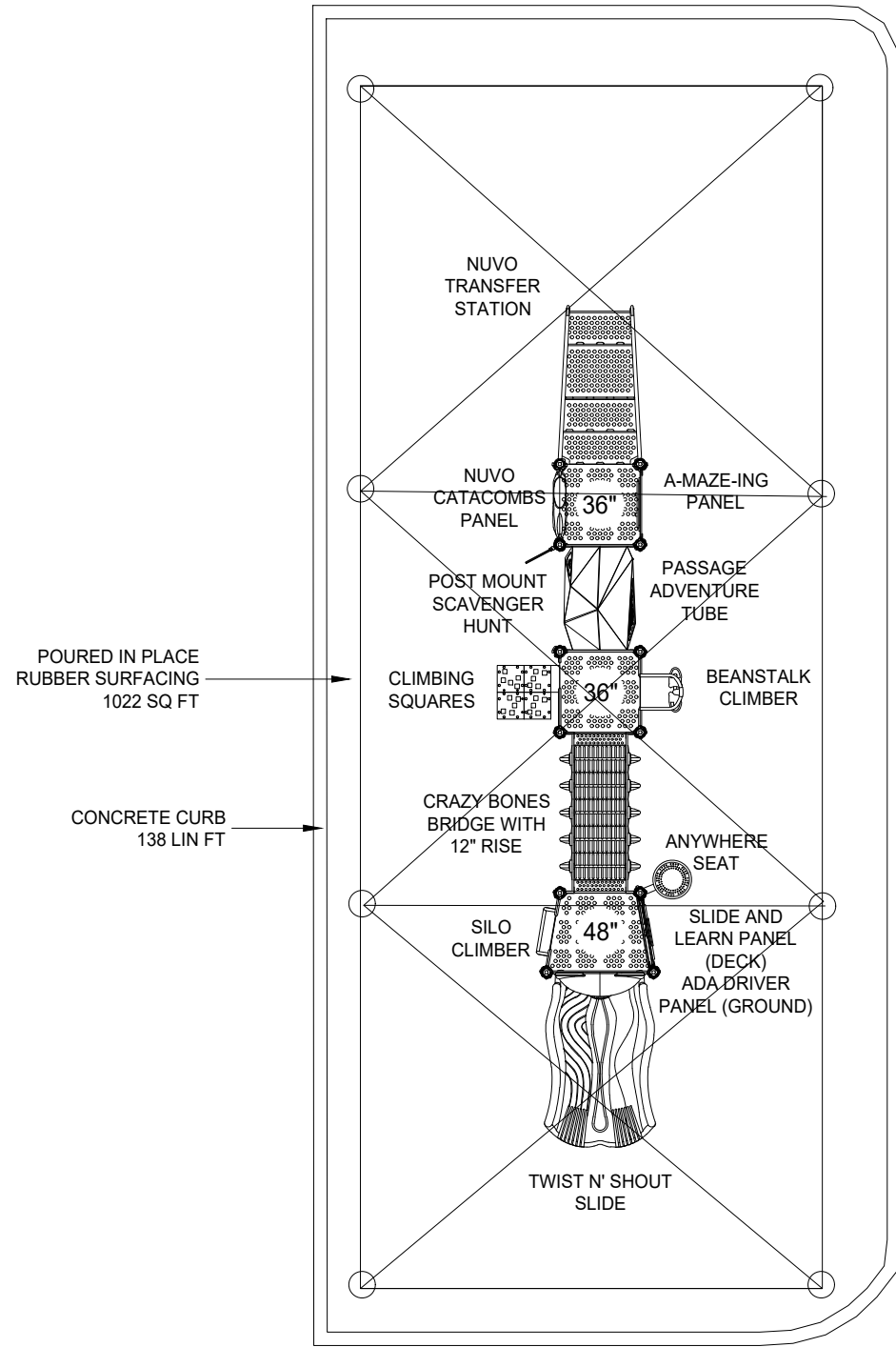


Approx. \$81,000
 Structure only: Approx. \$35,000



TOTAL ELEVATED PLAY COMPONENTS:	9	REQUIRED:	0
TOTAL ELEVATED PLAY COMPONENTS ACCESSIBLE BY RAMP:	0	REQUIRED:	5
TOTAL ELEVATED PLAY COMPONENTS ACCESSIBLE BY TRANSFER:	9	REQUIRED:	3
TOTAL ACCESSIBLE GROUND LEVEL COMPONENTS SHOWN:	3	REQUIRED:	3
TOTAL ACCESSIBLE GROUND LEVEL COMPONENTS OF DIFFERENT TYPES:	3	REQUIRED:	3

* APPLICABLE ONLY WITH ADA COMPLIANT SURFACING.

PLAY STRUCTURE AND LAYOUT OF THE COMPONENTS CONFORM TO ASTM F1487-17 AND CPSC #325 GUIDELINES AND CCR TITLE 22, DIVISION 4 CHAPTER 22.

CRITICAL FALL HEIGHT OF OVERALL PLAY AREA: 96"

PROJECT:

IMPERIAL VALLEY COLLEGE PRESCHOOL
 IMPERIAL, CA

DESIGNED BY:

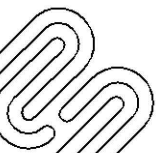
ALEX BERON
 DECEMBER 8, 2022
 DRAWING #
 C22536CHR1

DESIGNED FOR:

AGES
 2-5

since 1979
 davebang
 associates inc.

park+playground





COLOR PALETTE:



MANUFACTURERS:



PROJECT:

IMPERIAL VALLEY COLLEGE PRESCHOOL
IMPERIAL, CA

DESIGNED BY:

ALEX BERON
DECEMBER 8, 2022
DRAWING #
C22536CHR1

DESIGNED FOR:

AGES
2-5

since 1979
dave bang
associates inc.
park+playground





COLOR PALETTE:

MANUFACTURERS:

PROJECT:
IMPERIAL VALLEY COLLEGE PRESCHOOL
IMPERIAL, CA

DESIGNED BY:
ALEX BERON
DECEMBER 8, 2022
DRAWING #
C22536CHR1

DESIGNED FOR:
AGES
2-5

since 1979
dave bang
associates inc.
park+playground

